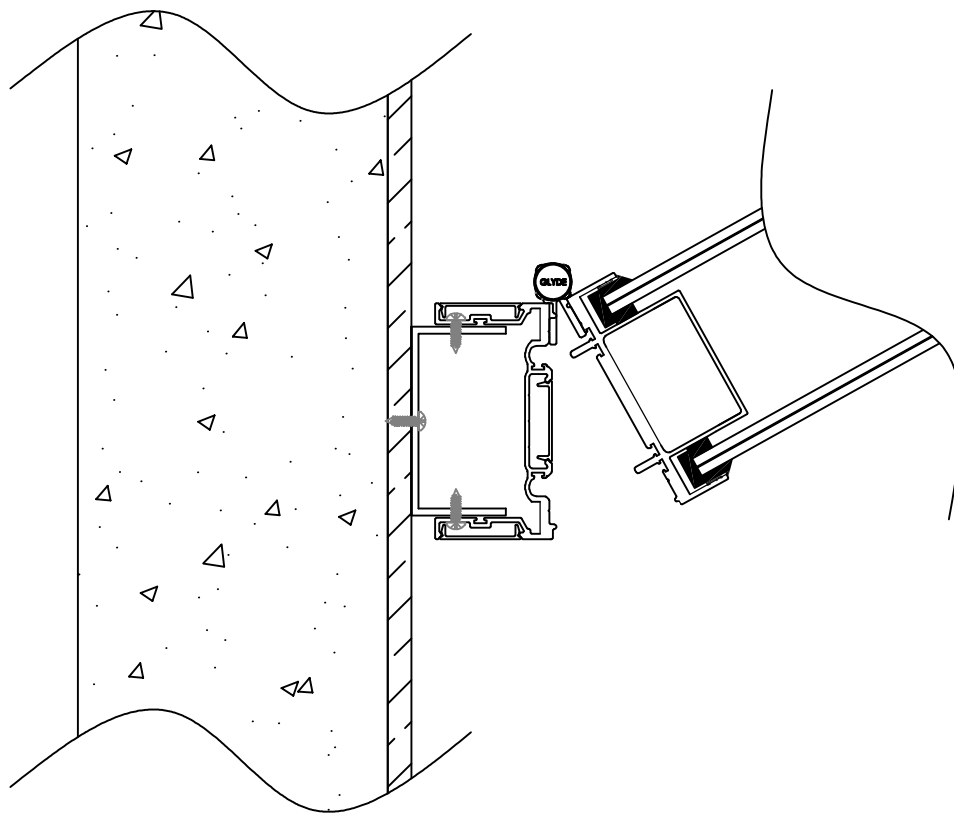


Adjustable jamb



Adjustable jamb with hinged pass door

TITLE: Optica Adjustable Jamb

DWG No. OPT-G-006

Aluminium Industries Australia PTY LTD  
 160 Ordish Rd, Dandenong, VIC 3175  
 TEL: (03) 9798 4433 aluminiumindustries.com.au

PROPRIETRY & CONFIDENTIAL  
 THE INFORMATION CONTAINED IN THIS DRAWING IS THE SOLE PROPERTY OF ALUMINIUM INDUSTRIES OF AUSTRALIA PTY LTD. ANY REPRODUCTION IN PART OR AS A WHOLE WITHOUT THE WRITTEN PERMISSION OF ALUMINIUM INDUSTRIES OF AUSTRALIA PTY LTD IS PROHIBITED

REV  
 1

**GLYDE**