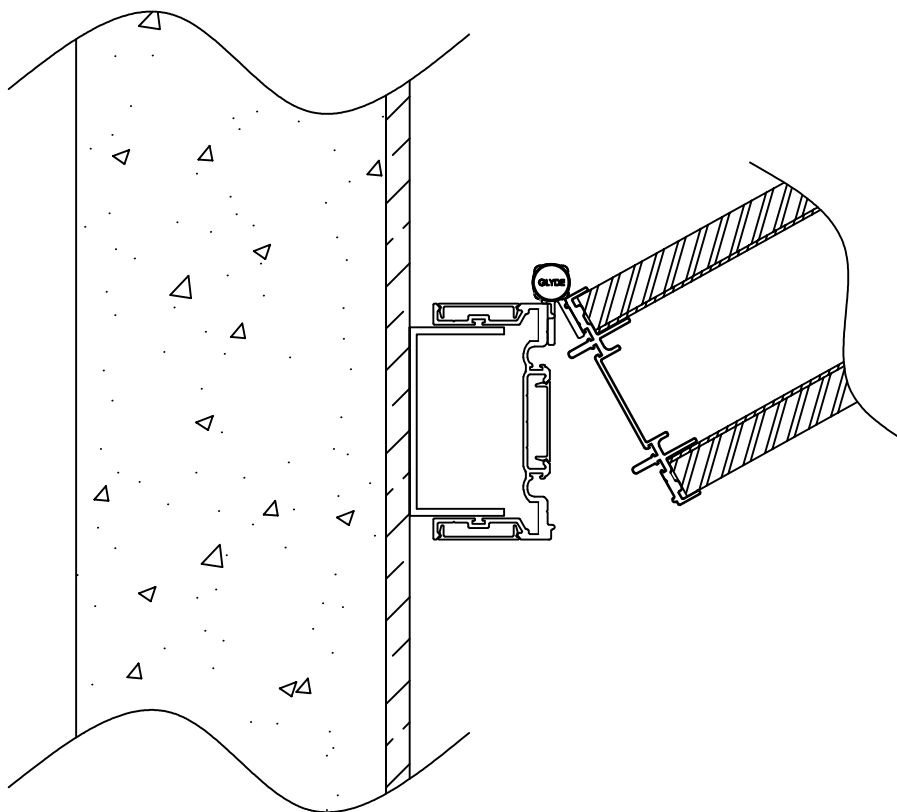


Adjustable jamb



Adjustable jamb with hinged pass door

TITLE: Optica Adjustable Jamb

DWG No. OPT-B-006

Aluminium Industries Australia PTY LTD
 160 Ordish Rd, Dandenong, VIC 3175
 TEL: (03) 9798 4433 aluminiumindustries.com.au

PROPRIETRY & CONFIDENTIAL
 THE INFORMATION CONTAINED IN THIS DRAWING IS THE SOLE PROPERTY OF ALUMINIUM INDUSTRIES OF AUSTRALIA PTY LTD. ANY REPRODUCTION IN PART OR AS A WHOLE WITHOUT THE WRITTEN PERMISSION OF ALUMINIUM INDUSTRIES OF AUSTRALIA PTY LTD IS PROHIBITED

REV
 1

GLYDE