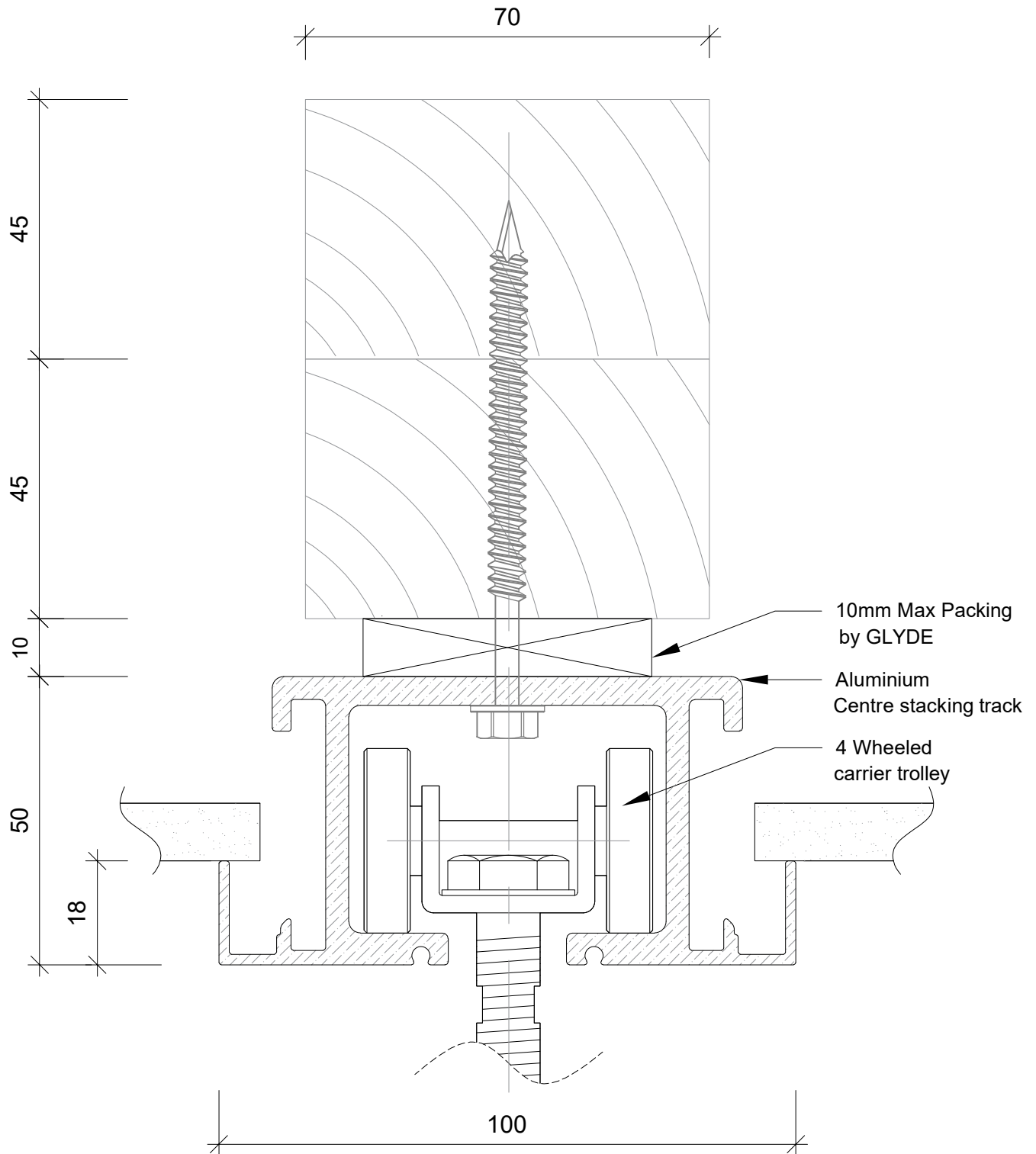


1.1.1a - Center Stack

- Installation Type** : Fixed to timber (2 x70x45mm MGP10 Pine or F17 KDHW beam or plate)
Fixing Type : Screw - 100mm Type 17, 14G, 10TPI Hex Head, 70mm embedment
Fixing Alternatives : Screw - 50mm Type 17, 14g, 10TP Hex Head, 33mm embedment (KDHW Only)
 M8 bolt, nut & washer

Note : Lateral bracing may be required for cyclonic/earthquake prone zones.



GLYDE
 GLYDE ARCHITECTURAL ACOUSTIC SYSTEMS
 160 ORDISH RD, DANDENONG, VIC 3175
 TEL: (03) 9798 4433
 glydearchitectural.com.au

Product. Optica - Centre Stack		Description. Center Stack - Fixed to Timber		
PROPRIETARY		DRAWN SH	Date 27/04/23	DRAWING NO. OW01
THE INFORMATION CONTAINED IN THIS DRAWING IS THE SOLE PROPERTY OF ALUMINIUM INDUSTRIES OF AUSTRALIA PTY LTD. ANY REPRODUCTION IN PART OR AS A WHOLE WITHOUT THE WRITTEN PERMISSION OF ALUMINIUM INDUSTRIES OF AUSTRALIA PTY LTD IS PROHIBITED.				Revision 1