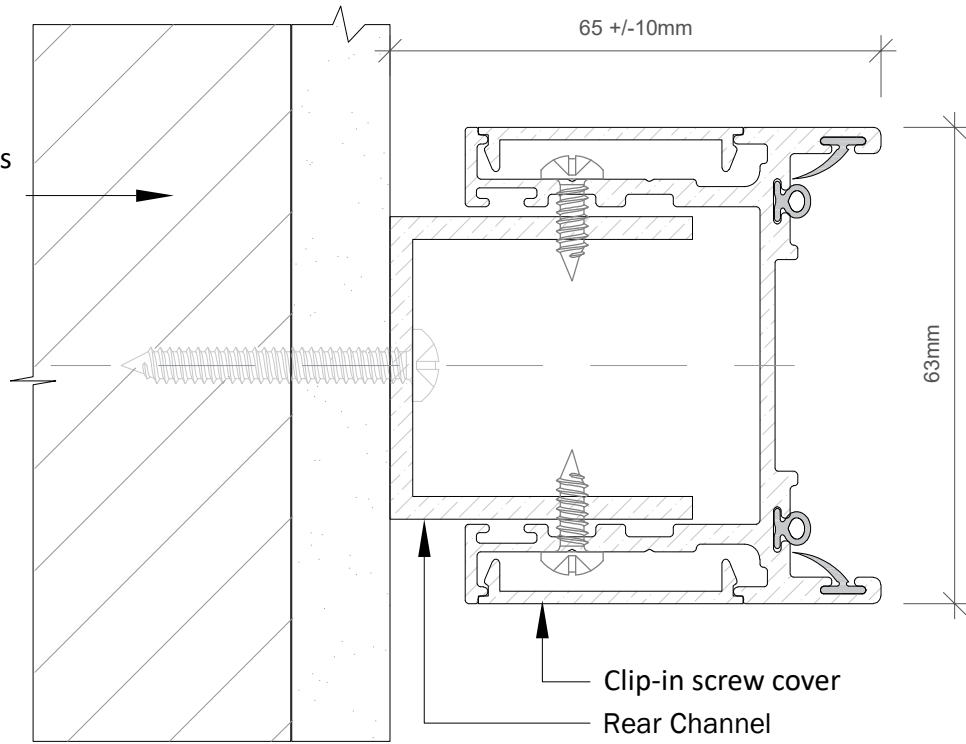
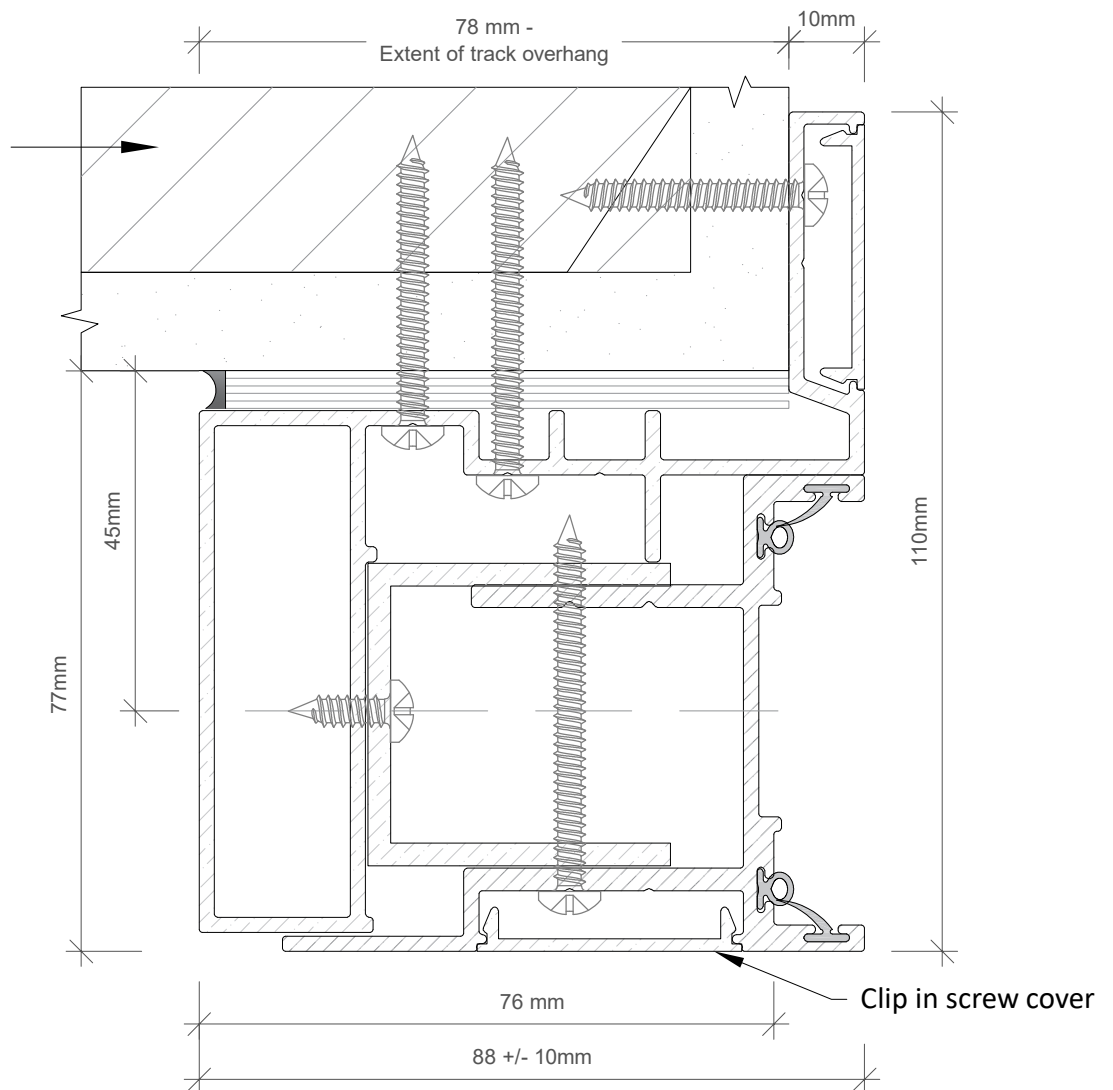


Structure by others
(Note 01)



STANDARD JAMB

Structure by others
(Note 01)



Note 1:
Builder to ensure sufficient
structure for fixing jambs
securely.

FACE MOUNTED JAMB

GLYDE
GLYDE ARCHITECTURAL ACOUSTIC SYSTEMS
160 ORDISH RD, DANDENONG, VIC 3175
TEL: (03) 9798 4433
glydearchitectural.com.au

Product. GLYDE - ACOUSTIC SLIDERS		Description. STANDARD AND FACE MOUNTED JAMB		
PROPRIETARY		Drawn AA	Date 1/6/2023	Revision 2
THE INFORMATION CONTAINED IN THIS DRAWING IS THE SOLE PROPERTY OF ALUMINIUM INDUSTRIES OF AUSTRALIA PTY LTD. ANY REPRODUCTION IN PART OR AS A WHOLE WITHOUT THE WRITTEN PERMISSION OF ALUMINIUM INDUSTRIES OF AUSTRALIA PTY LTD IS PROHIBITED.		DRAWING NO. GD-TD-0011		