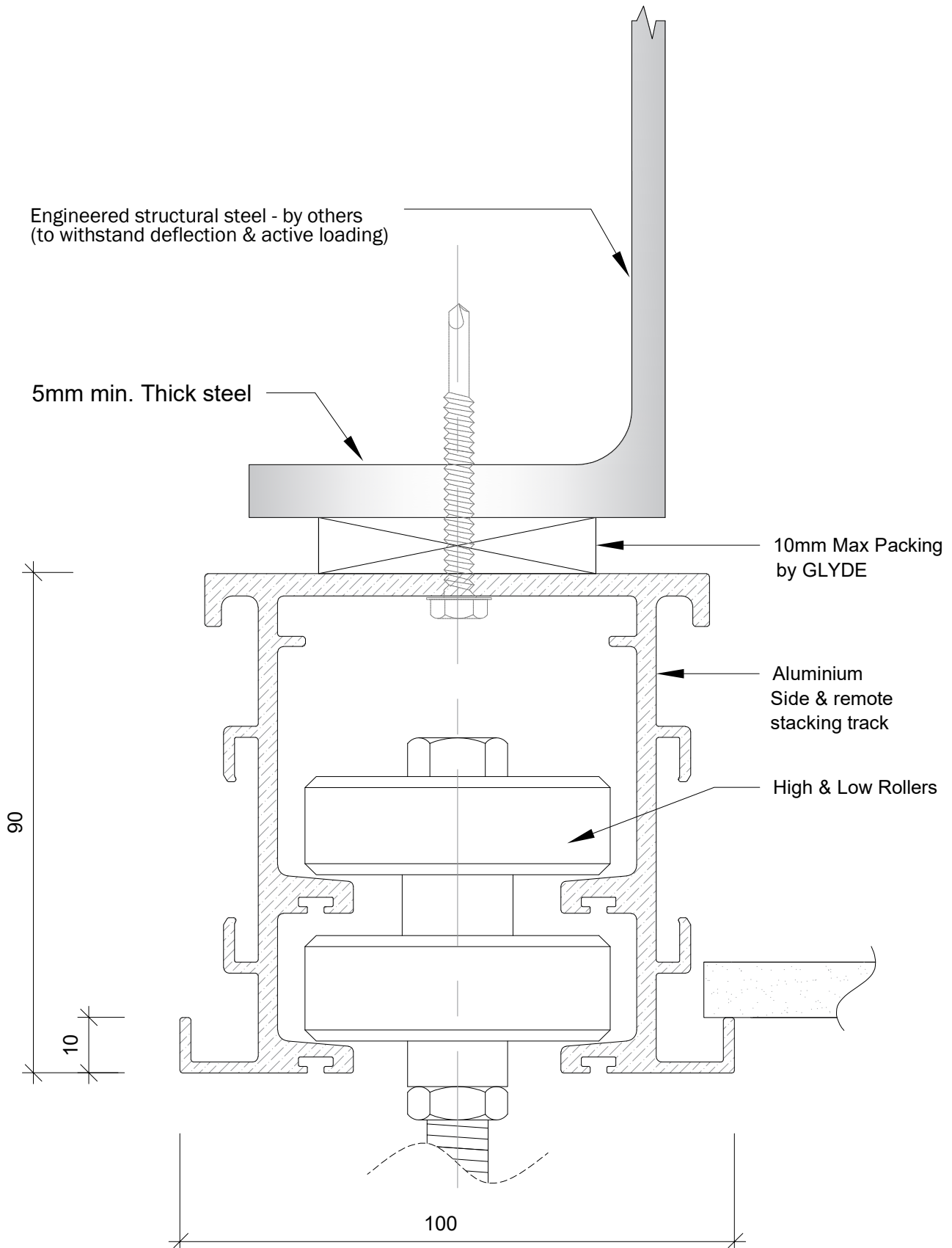


1.1.1a - Side / Remote Stack

- Installation Type** : Fixed to Steel - Direct (RHS, UB, PFC)
Fixing Type : Supertek 500, 32 to 50mm, 12G, 24 TP1
Fixing Alternatives : M8 bolt (tapped)
 M8 bolt, nut & washer



<h1>GLYDE</h1> <p>GLYDE ARCHITECTURAL ACOUSTIC SYSTEMS</p> <p>160 ORDISH RD, DANDENONG, VIC 3175 TEL: (03) 9798 4433 glydearchitectural.com.au</p>	Product. Optica - Side/ Remote Stack <small>PROPRIETARY</small>	Description. Side / Remote Stack - Fixing to Steel - Direct		Revision 1
	THE INFORMATION CONTAINED IN THIS DRAWING IS THE SOLE PROPERTY OF ALUMINIUM INDUSTRIES OF AUSTRALIA PTY LTD. ANY REPRODUCTION IN PART OR AS A WHOLE WITHOUT THE WRITTEN PERMISSION OF ALUMINIUM INDUSTRIES OF AUSTRALIA PTY LTD IS PROHIBITED.	DRAWN SH	Date 27/04/23	DRAWING NO. OW09